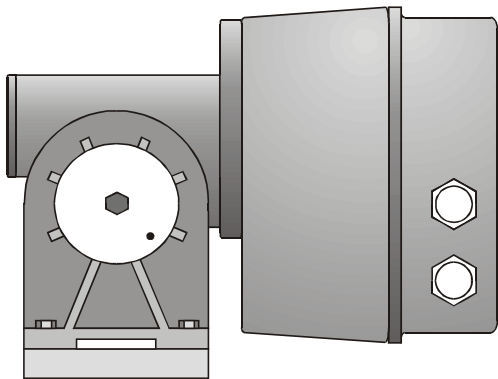


HOTRACO HELPS



AIM-80

Motor winch

Hotraco Agri BV

Stationsstraat 142, NL - 5963 AC Hegelsom, P.O. Box 6086, 5960 AB Horst, The Netherlands
Tel: +31 (0)77 3275020 Fax: +31 (0)77 3275021 Internet: www.hotraco.com

AIM-80

Motor winch

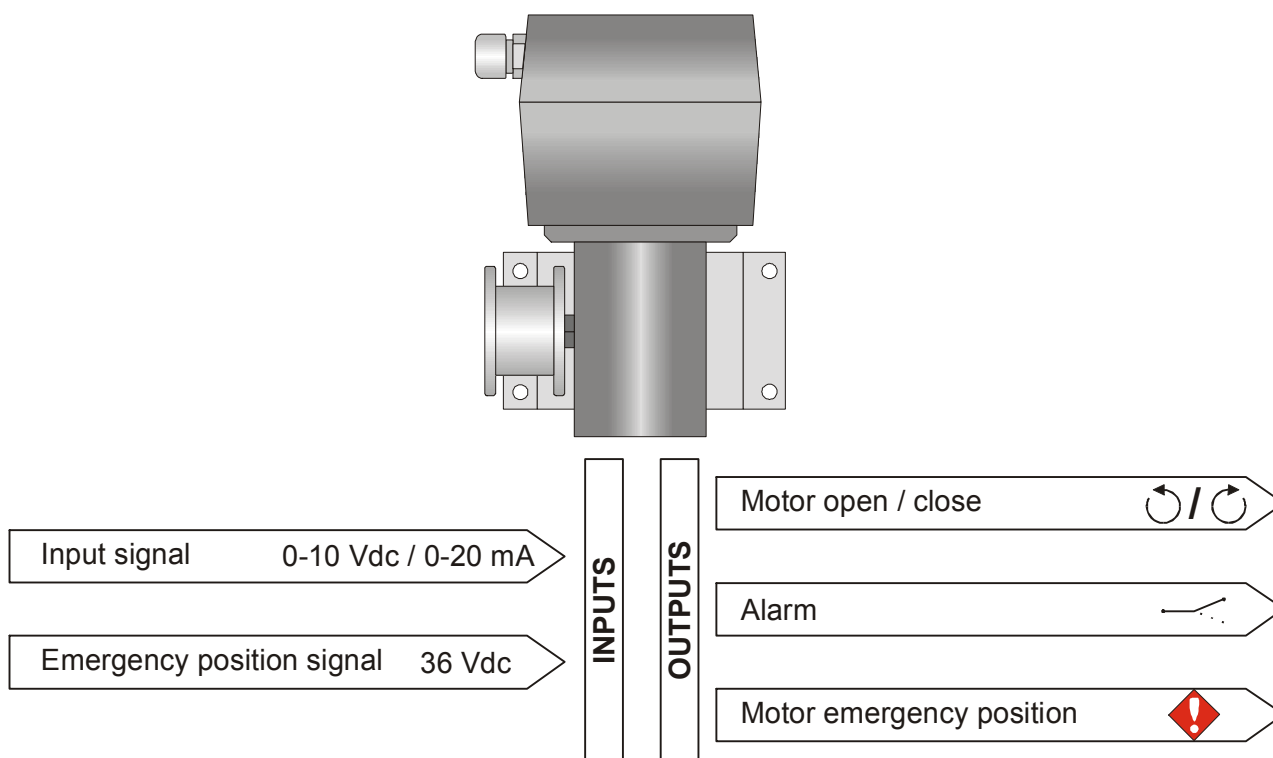
General

The AIM-80 is a 24 Vac motor winch. The AIM-80 is equipped with electronic position sensing, which make potentiometers and limit switches unnecessary. Minimum and maximum positions can be set easily. If connected to a emergency power supply, the AIM-80 can be set to a emergency position in case of main power failure. The AIM-80 has a contact breaker for alarm signalling.

Optional available AIM-80 items:

- Multiple various power units with optional manual override
- Emergency power unit 36 Vdc for 4 AIM-80's
- Handset for AIM-80 (mechanical manual operation)

AIM-80



Technical specifications:

Electrical

Power supply	: 24 Vac \pm 10%
Emergency power supply	: 36 Vdc +10% / -20%
Power consumption	: 15 VA
Position control signal	: 0-10 Vdc ($R_i = 50 \text{ k}\Omega$) 0-20 mA ($R_i = 250 \Omega$)
Drive gear	: DC-motor (with carbon brushes)
Protection	: Monitoring slow operation
Alarm relay	: 0,5 A , 24 Vac/dc

Complies with EC-Directives

EMC	: 2004 / 108 / EC
Low tension	: 2006 / 95 / EC

Mechanical

Maximum torque	: 20 Nm
Maximale pull	: 100 kg
Nominal pull	: 80 kg
Range	: 0,4-75 cm
Winch drum diameter	: 38 mm
Revelations per minute	: $\pm 0,5 \text{ rev. / min.}$
Rate of winding	: $\pm 60 \text{ mm / min.}$
Sound level	: < 59 dB(A) (compare measuring)
Operating temperature range	: -10 °C to +35 °C
Dimensions (W x H x D)	: 180 x 137 x 132 mm
Weight	: approx.3 kg