

HOTRACO HELPS



CAN-IO-6-14

CAN-IO-module

Hotraco Agri BV

Stationsstraat 142, NL - 5963 AC Hegelsom, P.O. Box 6086, 5960 AB Horst, The Netherlands
Tel: +31 (0)77 3275020 Fax: +31 (0)77 3275021 Internet: www.hotraco.com

CAN-IO-6-14

CAN-IO module

General

The CAN-IO-6-14 can be applied as an extra expansion module to increase the number of in- and outputs on an Orion computer. Therefore 6 inputs and 14 outputs can be added to the Orion computer. These in- and outputs can be assigned as desired only depending on the Orion type. Multiple CAN-IO-6-14's can be connected by using the CAN-Local to a maximum of 4 pieces.



2 Analogue Inputs

For example:

- RH
- Wind direction
- Wind speed
- Animal weighing

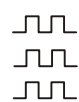


gr/kg

4 Digital Inputs

For example:

- Water counter
- Feed counter
- Egg counter



1 Analogue Output

For example:

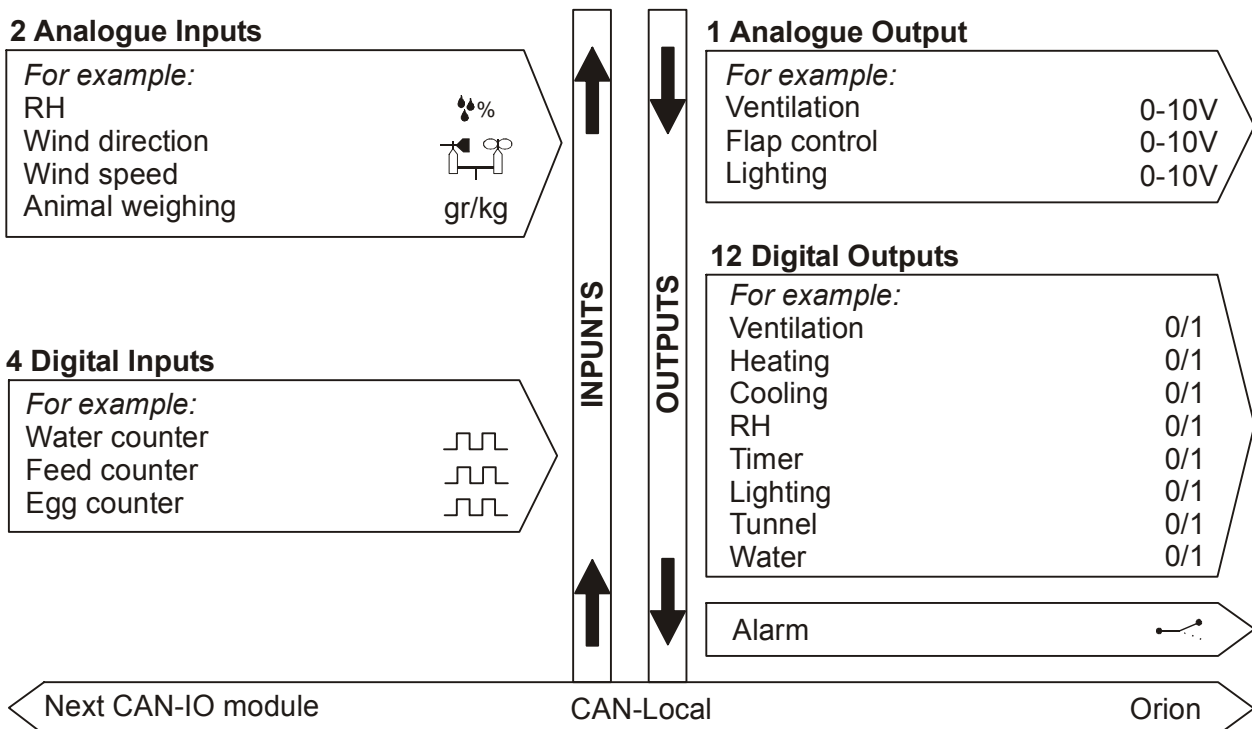
- Ventilation 0-10V
- Flap control 0-10V
- Lighting 0-10V

12 Digital Outputs

For example:

- Ventilation 0/1
- Heating 0/1
- Cooling 0/1
- RH 0/1
- Timer 0/1
- Lighting 0/1
- Tunnel 0/1
- Water 0/1

Alarm



Technical specifications

Electrical

Power supply	: 230 Vac \pm 10%, 50/60 Hz
Power consumption	: max. 10 VA
Fuse main current	: T 100 mA (dim. 5 x 20 mm)

Analogue inputs (2x)

0...5 V	: 0-5 V ($R_i = \infty \Omega$)
---------	-----------------------------------

Digital inputs (4x)

Counter	: NPN / PNP sensor 12..24Vdc 8mA max. 10 Hz
---------	---

Analogue outputs (1x)

0...10 Vdc	: 0-10 V / max. 1 mA
------------	----------------------

Digital outputs (12x)

Relay output K1...K12	: 0,5 A, 230 Vac
Alarm relay	: 0,5 A, 24 Vac/dc

Complies with EC directives

EMC	: 2004 / 108 / EC
Low tension	: 2006 / 95 / EC

Power supply 24Vdc

Supply	: 24 Vdc / max. 140 mA -30% +10%
--------	----------------------------------

Communication

Protocol	: CAN-Local
Maximum length	: 500 meter @ 100Kbs

Mechanical

Operating temperature range	: 0...40 °C
Dimensions (H x W x D)	: 220 x 168 x 110 mm
Encasing	: IP 54 synthetic
Weight	: approx. 2 kg