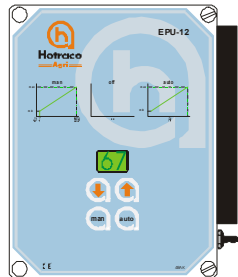


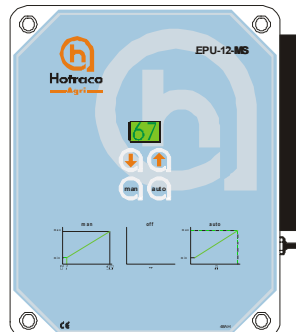
HOTRACO HELPS



EPU-12



EPU-12MS



EPU-12(MS)

Power unit

Hotraco Agri BV

Stationsstraat 142, NL - 5963 AC Hegelsom, P.O. Box 6086, 5960 AB Horst, The Netherlands

Tel: +31 (0)77 3275020 Fax: +31 (0)77 3275021 Internet: www.hotraco.com

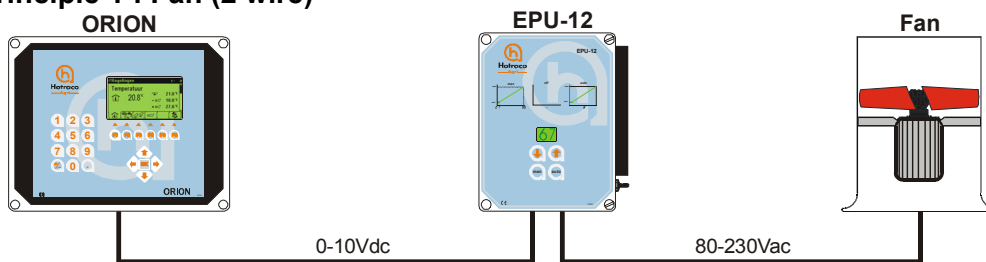
EPU-12(MS)

Power unit

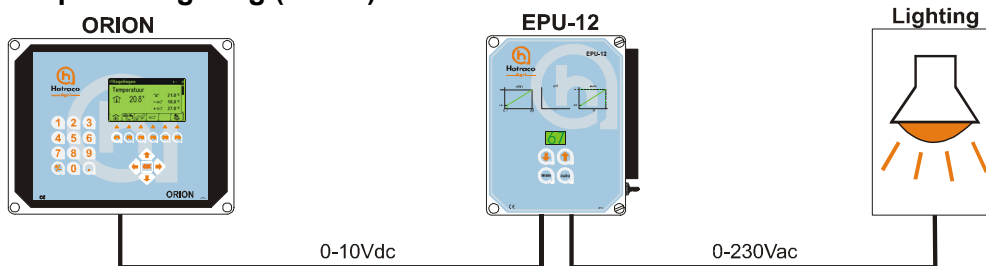
General

The EPU-12-(MS) is a simple triac controller to regulate fans or lighting, the EPU-12-MS version is equipped with an additional contactor. The EPU-12 can be controlled manually or by an 0-10 Vdc input signal from the main computer. If selected in manual control option, the display produces the voltage value of the input signal in a percentage. By using the arrow buttons on the EPU the minimum and maximum fan speed or lighting level can be set in a simple way. Its control can be bridged by a switch mounted on the side of the EPU. Furthermore the EPU is equipped with a contact breaker in order to regulate alarm signalling.

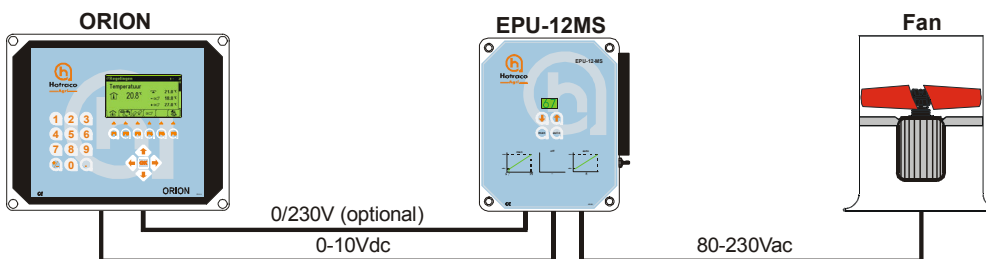
Control principle 1 : Fan (2 wire)



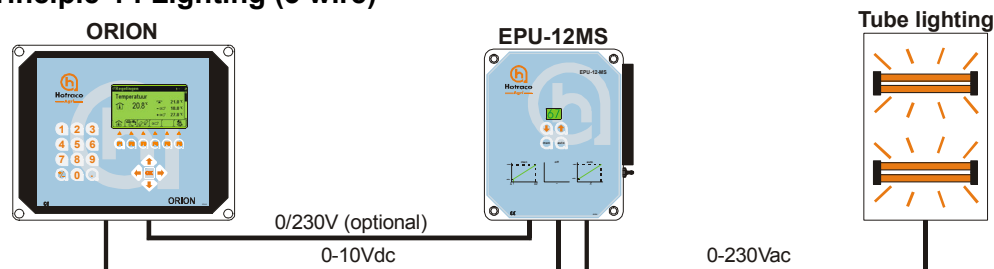
Control principle 2 : Lighting (2 wire)



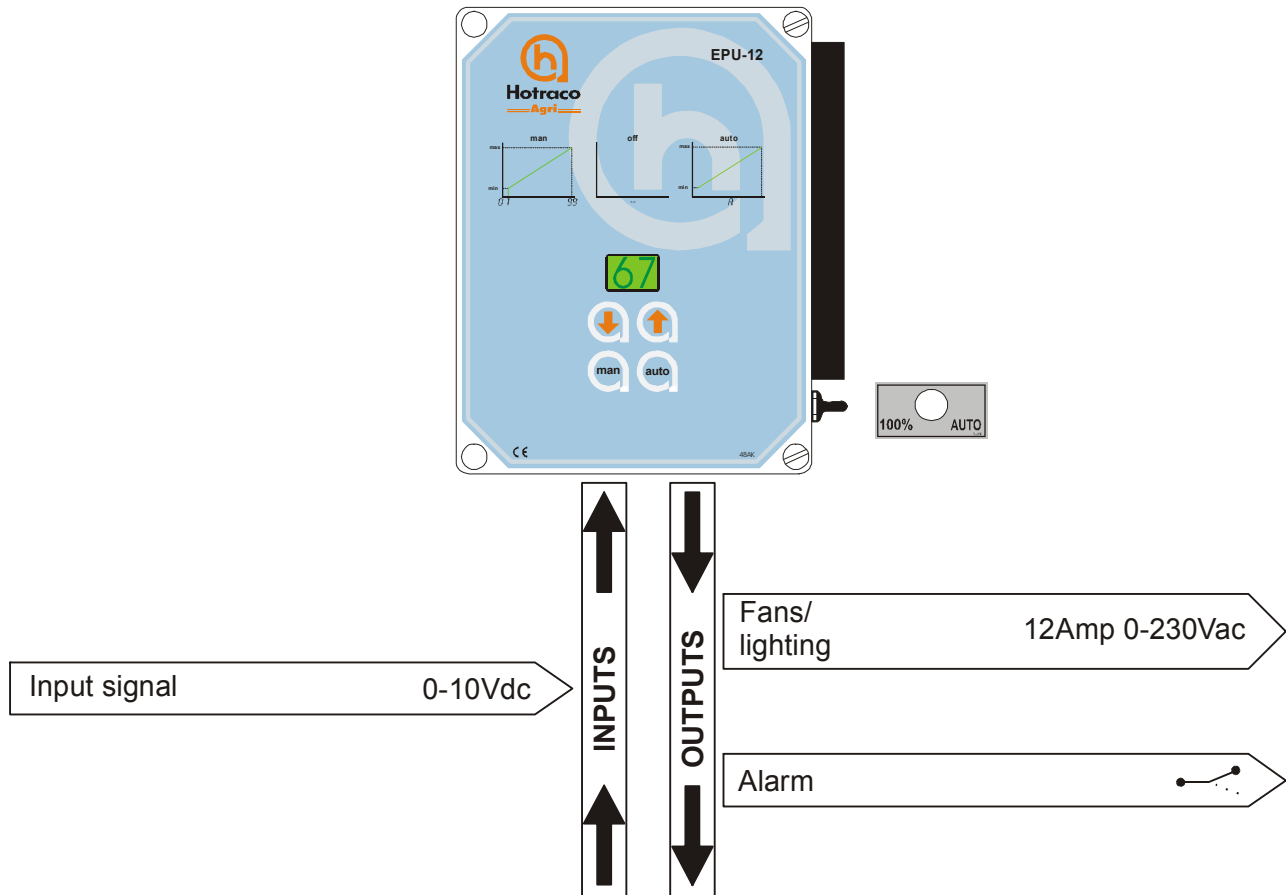
Control principle 3 : Fan (3 wire)



Control principle 4 : Lighting (3 wire)



EPU-12 Power unit



Technical specifications EPU-12 / EPU12-MS

Electrical

Power supply	: 230 Vac \pm 10%, 50/60 Hz
Maximum load	: 12 A CE (15 A max.) fan = nominal current + 35%
Contact load alarm relay	: 0,5 A , 24 Vac/dc
Contact load M.S. relay	: 3 A, 230 Vac
Input resistance 0-10 Vdc	: 50 k Ω
Output signal 0-10 Vdc	: max. 1 mA

Protection

Fuse	: T 100 mA (dim. 5 x 20 mm)
Fuse F2 (EPU-12MS)	: T 2,5 A (dim. 5 x 20 mm)

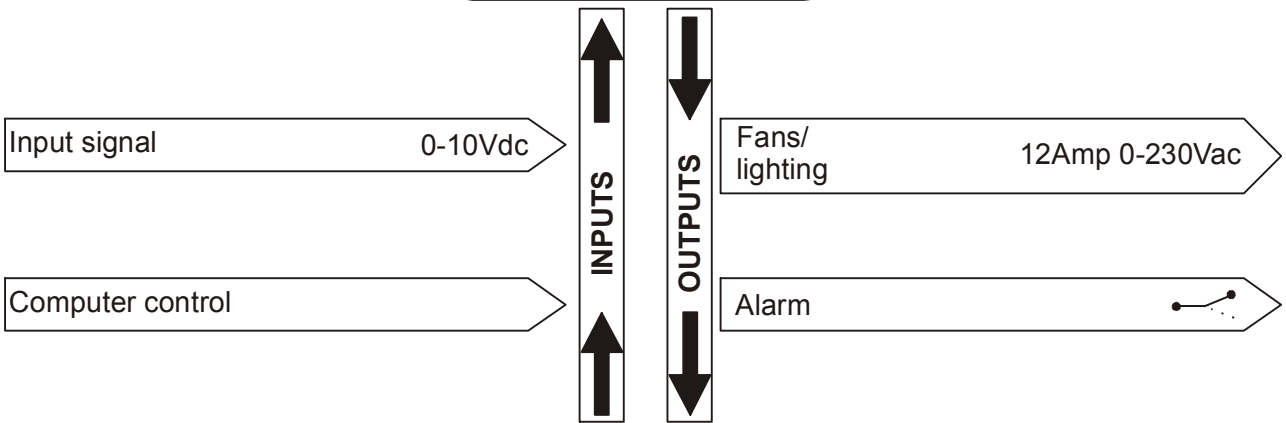
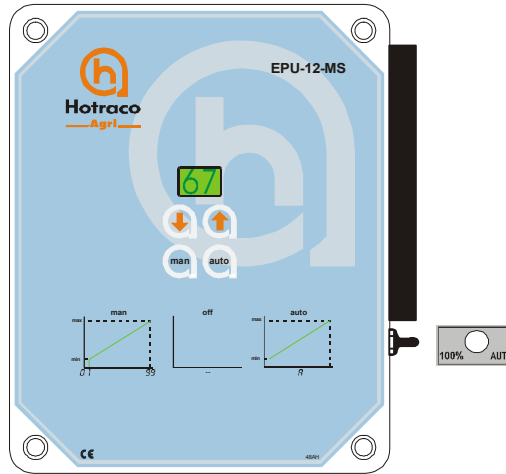
Complies with EC directives

EMC	: 2004 / 108 / EC
Low tension	: 2006 / 95 / EC

Mechanical

Operating temperature range	: 0...40 °C
Dimensions EPU-12	: 220 x 190 x 110 mm
Dimensions EPU-12MS	: 270 x 245 x 115 mm
Encasing	: IP 54 synthetic
Weight EPU-12 / EPU-12MS	: approx. 2 kg / approx. 2,5 kg

EPU-12MS Power unit



Control current diagram EPU-12MS

