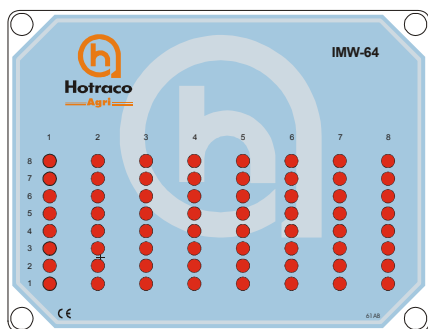


HOTRACO HELPS



IMW-64

Signalisation box

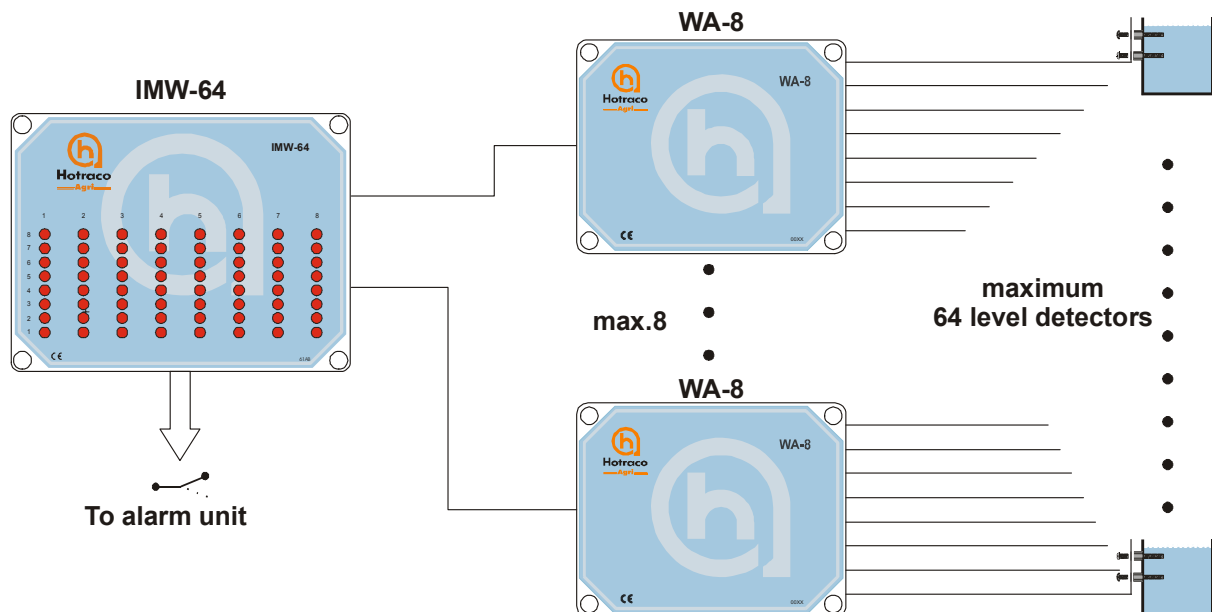
Hotraco Agri BV

Stationsstraat 142, NL - 5963 AC Hegelsom, P.O. Box 6086, 5960 AB Horst, The Netherlands

Tel: +31 (0)77 3275020 Fax: +31 (0)77 3275021 Internet: www.hotraco.com

General

The IMW-64 is a signalisation box with 64 indication LED's. A maximum of eight WA-8's (water alarm 8 inputs) can be connected to the IMW-64. Per WA-8 a maximum of eight level detectors can be connected to monitor the liquid level. When there is no electrical conduction between the two level detectors the liquid level is too low. Coupled to a IMW-64 the relating LED lights up in means of an alarm. Furthermore, an alarm contact is placed which disconnects at power failure and/or when a defect occurs and can be set from 30 seconds – 10 minutes.



Technical specification

Electrical

Power supply	: 230 Vac \pm 10%, 50/60 Hz
Output current (Output connected to GND)	: 70 mA (duty-cycle = 1,5%)
Alarm relay	: 0,5 A, 24 Vac/dc
Alarm delay range	: 30 seconds – 10 minutes

Protection

Control current	: T 100 mA (dim. 5 x 20mm)
-----------------	----------------------------

Complies with EC directives

EMC	: 2004 / 108 / EC
Low tension	: 2006 / 95 / EC

Mechanical

Operating temperature range	: 0...40 °C
Dimensions (H x W x D)	: 168 x 220 x 110 mm
Encasing	: IP 54 synthetic
Weight	: approx. 3 kg